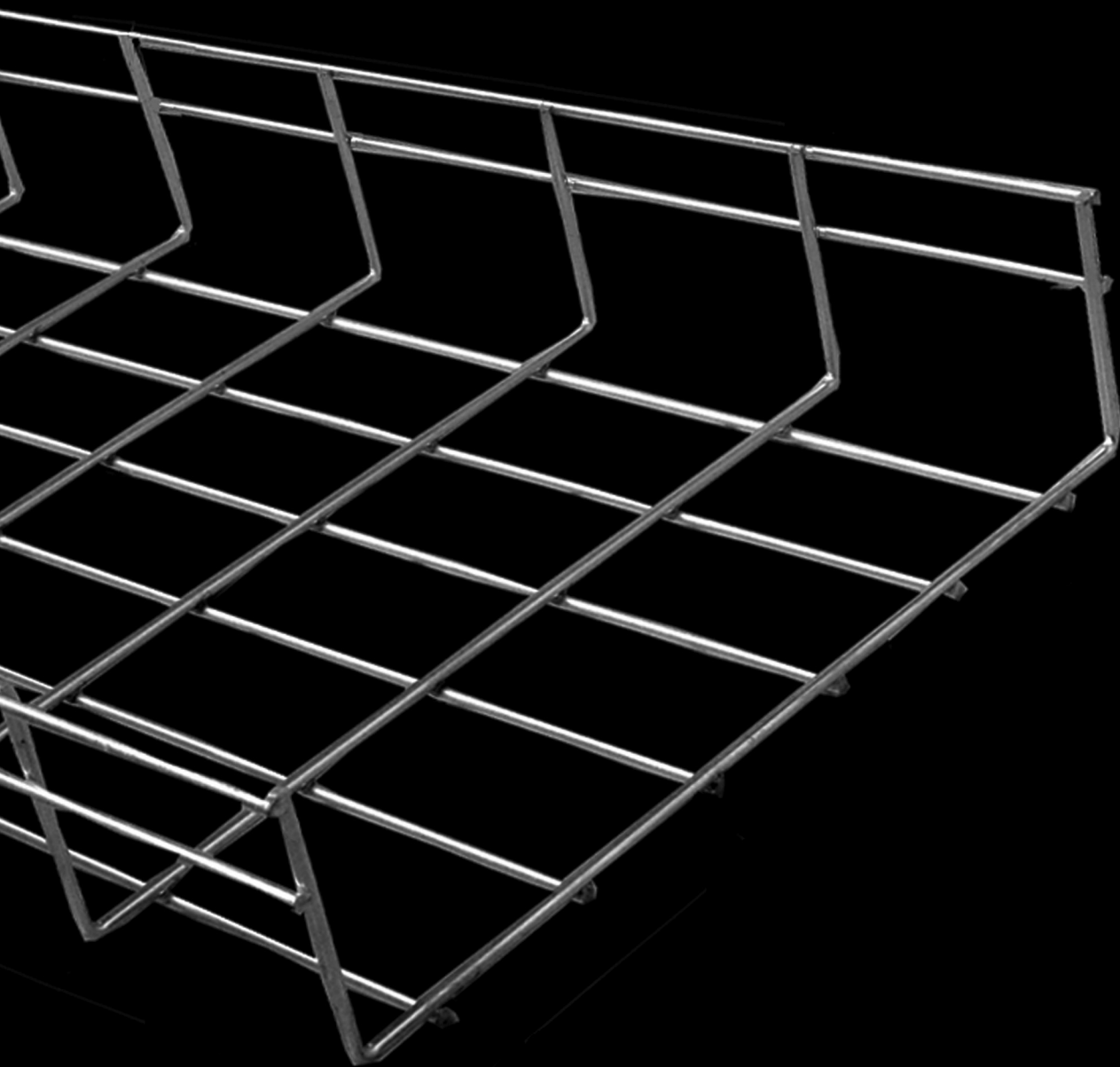


# GERPAAS®

Cable trays  
Chemin de câbles  
Kabelrinnen  
Кабельные лотки  
Kablo kanalları



---

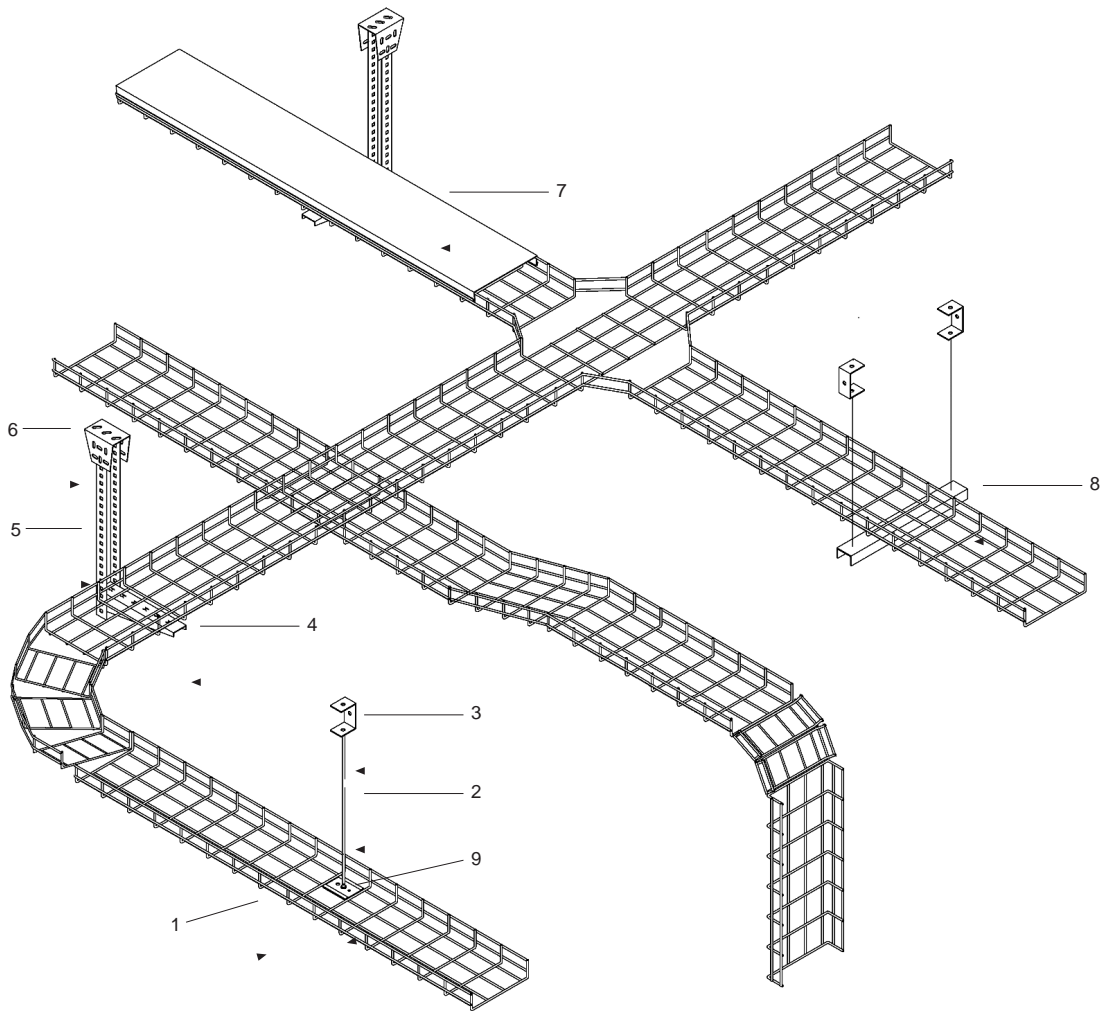
**GERPAAAS<sup>®</sup>**

---

Material options: Stainless steel AISI 304 (L) (A2) / AISI 316 (L) (A4), ST-37-42 Mild Steel, Corten A, Pregalvanized steel, Aluminum  
 Finish options : Hot Dip Galvanized to EN 1461, Electrogalvanized to TS 149, Electrostatic Paint Coated, Prime coated  
 See material & finish option charts for available product specific selections.

AVAILABLE IN STAINLESS STEEL  
AND GALVANIZED STEEL OPTIONS

Wire Mesh Cable Trays  
Tel Kablo Kanalları  
Проволочные кабельные лотки



- |             |              |
|-------------|--------------|
| 1)- GE-TLK  | 6)- GE-AS2   |
| 2)- GE-KAT  | 7)- GE-KTK1  |
| 3)- GE-AE-2 | 8)- GE-AE-5U |
| 4)- GE-KA   | 9)- GE-TLKS  |
| 5)- GE-U    |              |

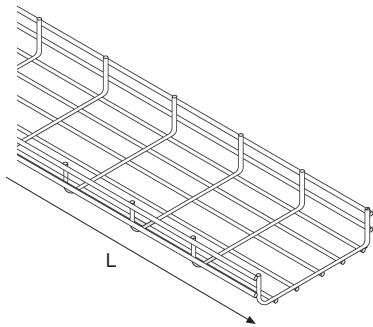
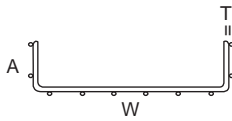


Material options: Stainless steel AISI 304 (L) (A2) / AISI 316 (L) (A4), ST-37-42 Mild Steel, Corten A, Pregalvanized steel, Aluminum  
 Finish options : Hot Dip Galvanized to EN 1461, Electrogalvanized to TS 149, Electrostatic Paint Coated, Prime coated  
 See material & finish option charts for available product specific selections.

## Cable Trays

50

GE-TLK1-A50  
 Wire mesh cable tray  
 Tel kanal  
 Системы проволочных лотков

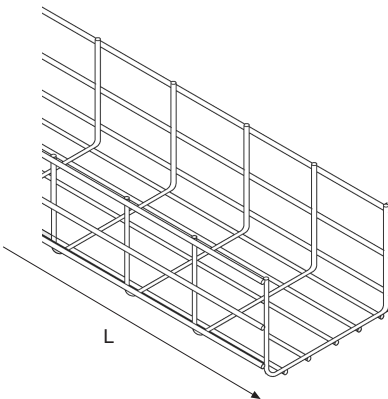
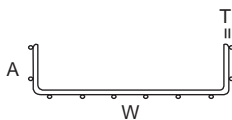


Part No	∅	W	A	L	Kg/m
GE-TLK1-5-A50	4	50	50	3000	0.800
GE-TLK1-10-A50	4	100	50	3000	0.900
GE-TLK1-20-A50	4	200	50	3000	1.300
GE-TLK1-30-A50	4	300	50	3000	1.700
GE-TLK1-40-A50	4	400	50	3000	2.100
GE-TLK1-50-A50	4	500	50	3000	2.500
GE-TLK1-60-A50	4	600	50	3000	2.900

SS4 SS6 EG HDG PG

85

GE-TLK1-A85  
 Wire mesh cable tray  
 Tel kanal  
 Системы проволочных лотков

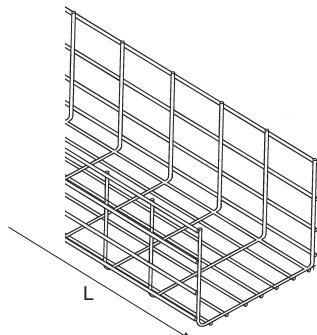
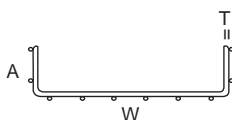


Part No	∅	W	A	L	Kg/m
GE-TLK1-10-A85	4	100	85	3000	1.190
GE-TLK1-20-A85	4	200	85	3000	1.700
GE-TLK1-30-A85	4	300	85	3000	2.100
GE-TLK1-40-A85	4	400	85	3000	2.350
GE-TLK1-50-A85	4	500	85	3000	2.750
GE-TLK1-60-A85	4	600	85	3000	3.100

SS4 SS6 EG HDG PG

120

GE-TLK1-A120  
 Wire mesh cable tray  
 Tel kanal  
 Системы проволочных лотков



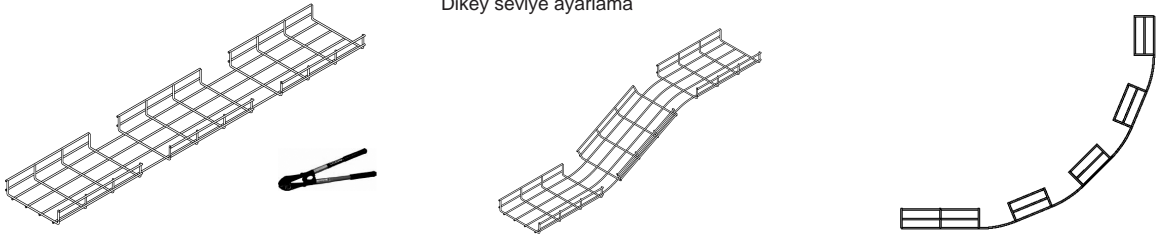
Part No	∅	W	A	L	Kg/m
GE-TLK1-10-A120	4	200	120	3000	1.800
GE-TLK1-20-A120	4	300	120	3000	2.200
GE-TLK1-30-A120	4	400	120	3000	2.600
GE-TLK1-40-A120	4	500	120	3000	3.000
GE-TLK1-50-A120	4	600	120	3000	3.400

SS4 SS6 EG HDG PG

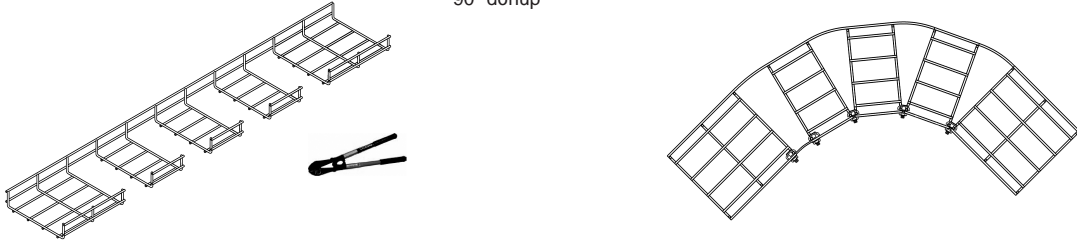
Material options: Stainless steel AISI 304 (L) (A2) / AISI 316 (L) (A4), ST-37-42 Mild Steel, Corten A, Pregalvanized steel, Aluminum  
Finish options : Hot Dip Galvanized to EN 1461, Electrogalvanized to TS 149, Electrostatic Paint Coated, Prime coated  
See material & finish option charts for available product specific selections.

## Cable Trays

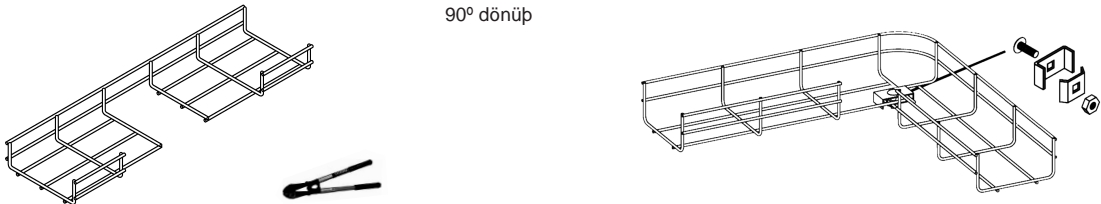
Vertical adjustable wiremesh tray  
Dikey seviye ayarlama



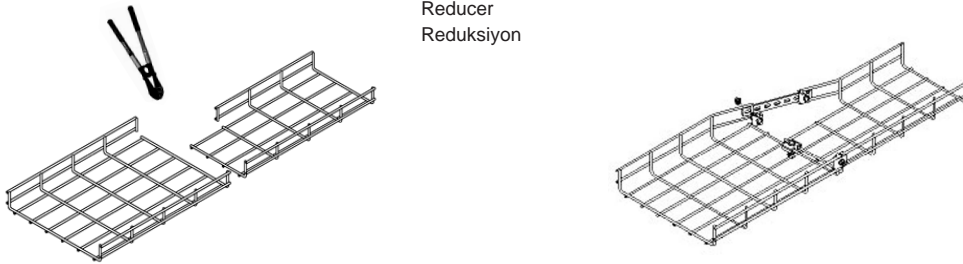
90° bend  
90° dönüp



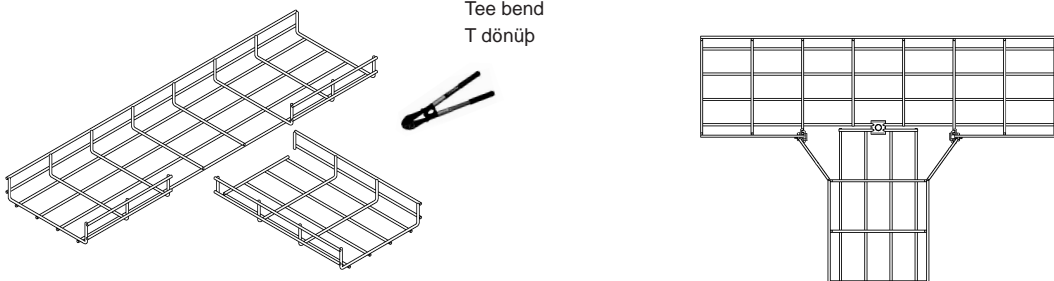
90° bend  
90° dönüp



Reducer  
Redüksiyon



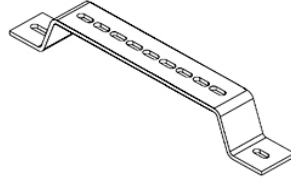
Tee bend  
T dönüp



Material options: Stainless steel AISI 304 (L) (A2) / AISI 316 (L) (A4), ST-37-42 Mild Steel, Corten A, Pregalvanized steel, Aluminum  
 Finish options : Hot Dip Galvanized to EN 1461, Electrogalvanized to TS 149, Electrostatic Paint Coated, Prime coated  
 See material & finish option charts for available product specific selections.

## Cable Trays

GE-TLK-ZT  
 Base bracket  
 Zemine Tespit Elemanı

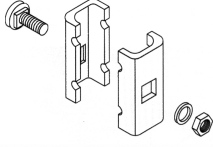


SS4 SS6 EG HDG PG

GE-CUT  
 Wire cutter  
 Tel makası

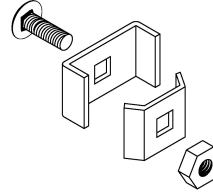


GE-TLKS  
 Connector for wire mesh cable trays  
 Tel kablo kanalýbirleþtirme parçasý



SS4 SS6 EG HDG PG

GE-TLK-EK  
 Connector for wire mesh cable trays  
 Tel kablo kanalýbirleþtirme parçasý



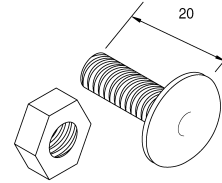
SS4 SS6 EG HDG PG

GE-BFEC  
 Earth link  
 Ýetken



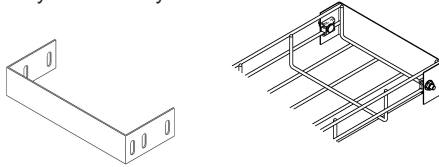
CU

GE-KC-2  
 Fixing set  
 Civata takýmý



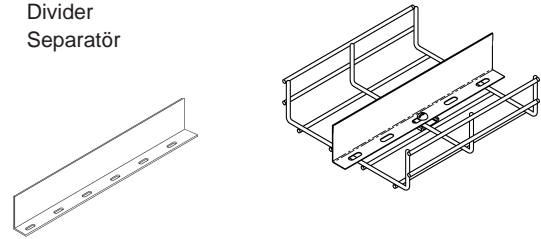
SS4 SS6 EG

GE-SON  
 Ending unit  
 Tel kanal sonlandýrma elemanı



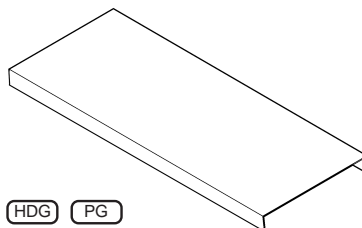
SS4 SS6 EG HDG PG

GE-SPRT  
 Divider  
 Separatör



SS4 SS6 EG HDG PG

GE-KTK1  
 Cover  
 Kapak



SS4 SS6 EG HDG PG

