

GERPAAS®

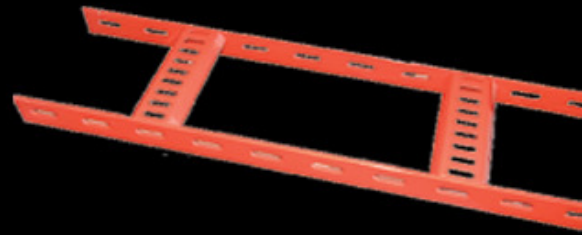
Marine systems

Echelles marine

Kabelletern nach marinenorm

Кабельные лотки для судов

Gemi tipi kablo taşıyıcılar



www.gerpaas.com

CABLE MANAGEMENT FOR SHIPS

We manufacture marine type cable management products with an enriched line of material and finish options.

GERPAAS manufactures cable trays and cable ladders and diverse line of support systems for ships.

Stainless steel products with AISI 304 and AISI 316 (L) grades are available in standard production.

Also galvanized products as well as epoxy coated and prime coated products are available in standard.

Visit us online at www.gerpaas.com

- Cable management systems
- Marine type cable supports
- Strut channels, support systems
- Earthing systems
- Lightning protection systems
- Stone fixings
- Steel lintels
- Other building products

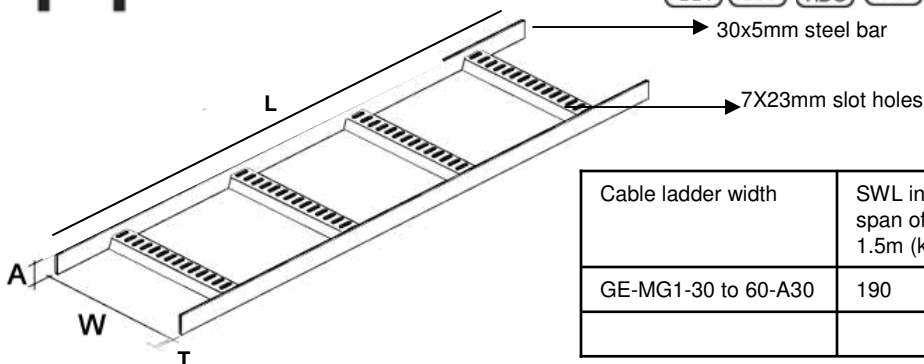
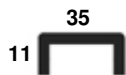
Material options: Stainless steel AISI 304 (L) (A2) / AISI 316 (L) (A4), ST-37-42 Mild Steel, Corten A, Pregalvanized steel, Aluminum
 Finish options : Hot Dip Galvanized to EN 1461, Electrogalvanized to TS 149, Electrostatic Paint Coated, Prime coated

Marine Type Cable Support Systems

ПЕРФОРИРОВАННЫЕ СУДОВЫЕ КАБЕЛЬНЫЕ ЛЕСТНИЦЫ

GE-MG1-A30

Cable ladder with U rung
 U basamaklı kablo merdiveni
 Судовые кабельные лестницы u



Part no	T	W	A	L	Kg/m
GE-MG1-30-A30	5	300	30	3000	3.90
GE-MG1-35-A30	5	350	30	3000	4.10
GE-MG1-40-A30	5	400	30	3000	4.40
GE-MG1-45-A30	5	450	30	3000	4.60
GE-MG1-50-A30	5	500	30	3000	4.90
GE-MG1-60-A30	5	600	30	3000	5.30

SS4 SS6 HDG EG ESP APB AI

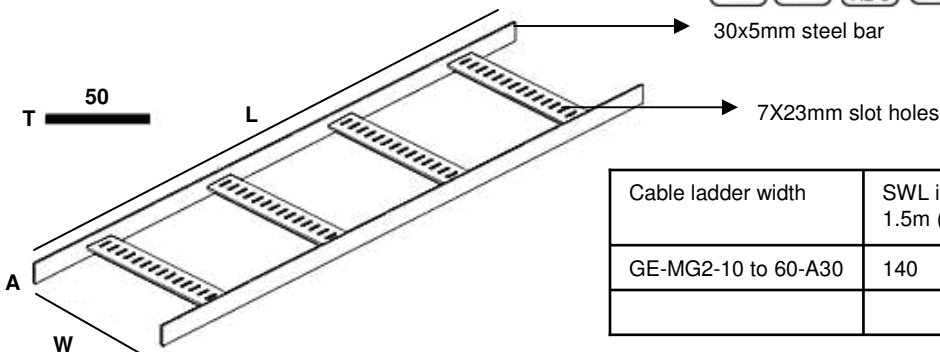
Cable ladder width	SWL in span of 1.5m (kg/m)	SWL in span of 2.0m (kg/m)
GE-MG1-30 to 60-A30	190	90

* Max. 2% deflection

Side channels can be perforated type upon request.
 Yanlar istek üzerine delikli tip üretilir.
 Каналы стороны могут быть перфорированы тип после запроса

GE-MG2-A30

Cable ladder with flat steel rung
 Lama basamaklı kablo merdiveni
 Судовые кабельные лестницы равнина



Part no	T	W	A	L	Kg/m
GE-MG2-10-A30	5	100	30	3000	2.90
GE-MG2-20-A30	5	200	30	3000	3.20
GE-MG2-30-A30	5	300	30	3000	3.70
GE-MG2-40-A30	5	400	30	3000	4.10
GE-MG2-50-A30	5	500	30	3000	4.40
GE-MG2-60-A30	5	600	30	3000	4.90

SS4 SS6 HDG EG ESP APB AI

Cable ladder width	SWL in span of 1.5m (kg/m)	SWL in span of 2.0m (kg/m)
GE-MG2-10 to 60-A30	140	60

* Max. 2% deflection

Side channels can be perforated type upon request.
 Yanlar istek üzerine delikli tip üretilir.
 Каналы стороны могут быть перфорированы тип после запроса

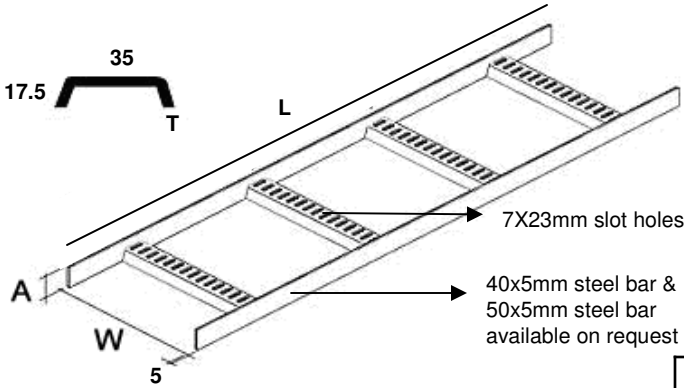
Material options: Stainless steel AISI 304 (L) (A2) / AISI 316 (L) (A4), ST-37-42 Mild Steel, Corten A, Pregalvanized steel, Aluminum
 Finish options : Hot Dip Galvanized to EN 1461, Electrogalvanized to TS 149, Electrostatic Paint Coated, Prime coated

Marine Type Cable Support Systems

ПЕРФОРИРОВАННЫЕ СУДОВЫЕ КАБЕЛЬНЫЕ ЛЕСТНИЦЫ

GE-MG3

Cable ladder with V rung
 V basamaklı kablo merdiveni
 Судовые кабельные лестницы v



Side channels can be perforated type upon request.
 Yanlar istek üzerine delikli tip üretilir.
 Каналы стороны могут быть перфорированы тип после запроса

Part no	T	W	A	L	Kg/m
GE-MG3-10-A40	1.5	100	40	3000	3.50
GE-MG3-20-A40	1.5	200	40	3000	3.80
GE-MG3-30-A40	1.5	300	40	3000	4.10
GE-MG3-40-A40	2.0	400	40	3000	4.80
GE-MG3-50-A40	2.0	500	40	3000	5.00
GE-MG3-60-A40	2.0	600	40	3000	5.20
GE-MG3-10-A50	1.5	100	50	3000	4.30
GE-MG3-20-A50	1.5	200	50	3000	4.60
GE-MG3-30-A50	1.5	300	50	3000	4.90
GE-MG3-40-A50	2.0	400	50	3000	5.60
GE-MG3-50-A50	2.0	500	50	3000	6.00
GE-MG3-60-A50	2.0	600	50	3000	6.40

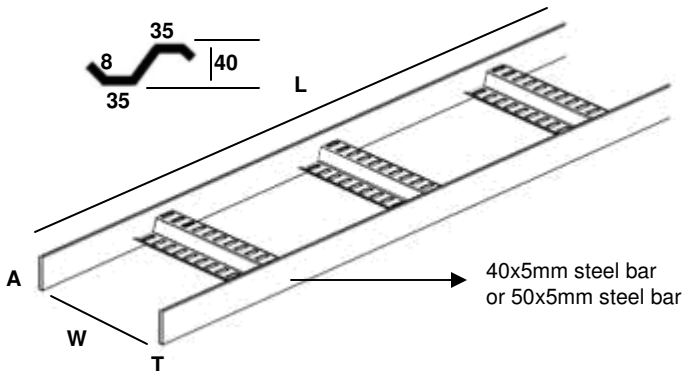
SS4 SS6 HDG EG ESP APB AI

Cable ladder width	SWL in span of 1.5m (kg/m)	SWL in span of 2.0m (kg/m)
GE-MG3-10 to 60-A40	170	80
GE-MG3-10 to 60-A50	180	90

* Max. 2% deflection

GE-MG4

Cable ladder with Z rung
 Z basamaklı kablo merdiveni
 Судовые кабельные лестницы z



Side channels can be perforated type upon request.
 Yanlar istek üzerine delikli tip üretilir.
 Каналы стороны могут быть перфорированы тип после запроса

Part no	T	W	A	L	Kg/m
GE-MG4-10-A40	5	100	40	3000	3.70
GE-MG4-20-A40	5	200	40	3000	4.20
GE-MG4-30-A40	5	300	40	3000	4.60
GE-MG4-40-A40	5	400	40	3000	5.90
GE-MG4-50-A40	5	500	40	3000	6.50
GE-MG4-60-A40	5	600	40	3000	7.20
GE-MG4-10-A50	5	100	50	3000	4.50
GE-MG4-20-A50	5	200	50	3000	5.00
GE-MG4-30-A50	5	300	50	3000	5.40
GE-MG4-40-A50	5	400	50	3000	6.70
GE-MG4-50-A50	5	500	50	3000	7.30
GE-MG4-60-A50	5	600	50	3000	8.00

SS4 SS6 HDG EG ESP APB AI

Cable ladder width	SWL in span of 1.5m (kg/m)	SWL in span of 2.0m (kg/m)
GE-MG4-10 to 60-A40	270	100
GE-MG4-10 to 60-A50	270	100

* Max. 2% deflection

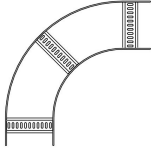
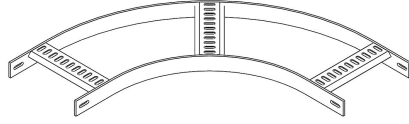
Material options: Stainless steel AISI 304 (L) (A2) / AISI 316 (L) (A4), ST-37-42 Mild Steel, Corten A, Pregalvanized steel, Aluminum
 Finish options : Hot Dip Galvanized to EN 1461, Electrogalvanized to TS 149, Electrostatic Paint Coated, Prime coated

Marine Type Cable Support Systems

ПЕРФОРИРОВАННЫЕ СУДОВЫЕ КАБЕЛЬНЫЕ ЛЕСТНИЦЫ

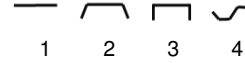
GE-MG2-D90

Cable ladder flat bend
 Kablo merdiveni dönüş elemanı
 L поворот



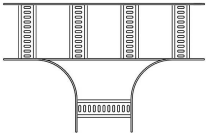
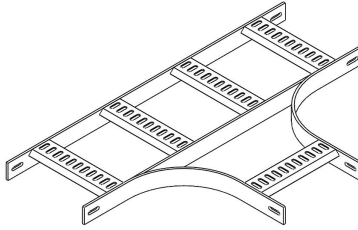
Part no	T	W	A
GE-MG2-D90-30-A30	5	300	30
GE-MG2-D90-35-A30	5	350	30
GE-MG2-D90-40-A30	5	400	30
GE-MG2-D90-45-A30	5	450	30
GE-MG2-D90-50-A30	5	500	30
GE-MG2-D90-60-A30	5	600	30

Please specify the rung type when ordering.
 Taleplerinizde basamak tipini belirtiniz.
 Просьба указать тип ступеньки при заказе



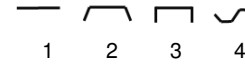
GE-MG2-T

Cable ladder tee
 Kablo merdiveni T elemanı
 T поворот



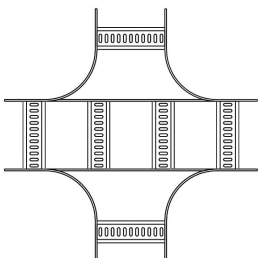
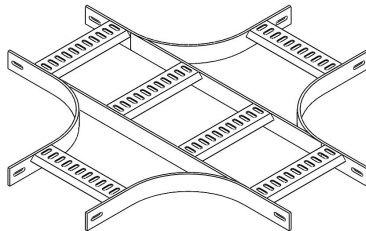
Part no	T	W	A
GE-MG2-T-30-A30	5	300	30
GE-MG2-T-35-A30	5	350	30
GE-MG2-T-40-A30	5	400	30
GE-MG2-T-45-A30	5	450	30
GE-MG2-T-50-A30	5	500	30
GE-MG2-T-60-A30	5	600	30

Please specify the rung type when ordering.
 Taleplerinizde basamak tipini belirtiniz.
 Просьба указать тип ступеньки при заказе



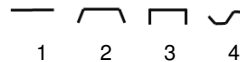
GE-MG2-DB

Cable ladder crossing
 Kablo merdiveni dörtlü bağlantı elemanı
 Крест поворот



Part no	T	W	A
GE-MG2-DB-30-A30	5	300	30
GE-MG2-DB-35-A30	5	350	30
GE-MG2-DB-40-A30	5	400	30
GE-MG2-DB-45-A30	5	450	30
GE-MG2-DB-50-A30	5	500	30
GE-MG2-DB-60-A30	5	600	30

Please specify the rung type when ordering.
 Taleplerinizde basamak tipini belirtiniz.
 Просьба указать тип ступеньки при заказе



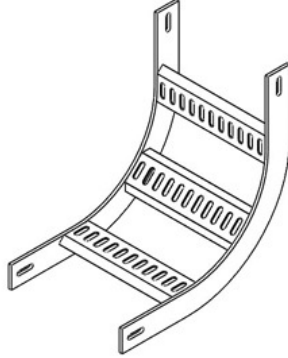
Material options: Stainless steel AISI 304 (L) (A2) / AISI 316 (L) (A4), ST-37-42 Mild Steel, Corten A, Pregalvanized steel, Aluminum
 Finish options : Hot Dip Galvanized to EN 1461, Electrogalvanized to TS 149, Electrostatic Paint Coated, Prime coated

Marine Type Cable Support Systems

ПЕРФОРИРОВАННЫЕ СУДОВЫЕ КАБЕЛЬНЫЕ ЛЕСТНИЦЫ

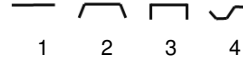
GE-MG2-IB

Vertical inside riser
 İç bükey
 Вертикальный изгиб



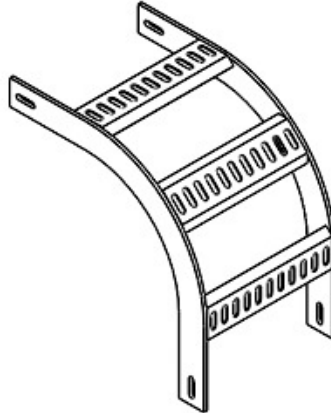
Part no	T	W	A
GE-MG2-IB-30-A30	5	300	30
GE-MG2-IB-35-A30	5	350	30
GE-MG2-IB-40-A30	5	400	30
GE-MG2-IB-45-A30	5	450	30
GE-MG2-IB-50-A30	5	500	30
GE-MG2-IB-60-A30	5	600	30

Please specify the rung type when ordering.
 Taleplerinizde basamak tipini belirtiniz.
 Просьба указать тип ступеньки при заказе



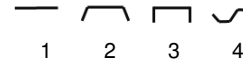
GE-MG2-OB

Vertical outside riser
 Dış bükey
 Вертикальный изгиб



Part no	T	W	A
GE-MG2-OB-30-A30	5	300	30
GE-MG2-OB-35-A30	5	350	30
GE-MG2-OB-40-A30	5	400	30
GE-MG2-OB-45-A30	5	450	30
GE-MG2-OB-50-A30	5	500	30
GE-MG2-OB-60-A30	5	600	30

Please specify the rung type when ordering.
 Taleplerinizde basamak tipini belirtiniz.
 Просьба указать тип ступеньки при заказе



Material options: Stainless steel AISI 304 (L) (A2) / AISI 316 (L) (A4), ST-37-42 Mild Steel, Corten A, Pregalvanized steel, Aluminum
 Finish options : Hot Dip Galvanized to EN 1461, Electrogalvanized to TS 149, Electrostatic Paint Coated, Prime coated

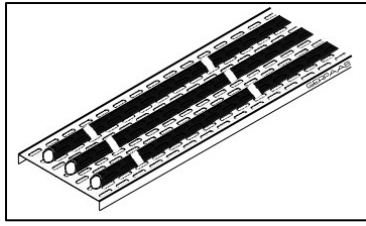
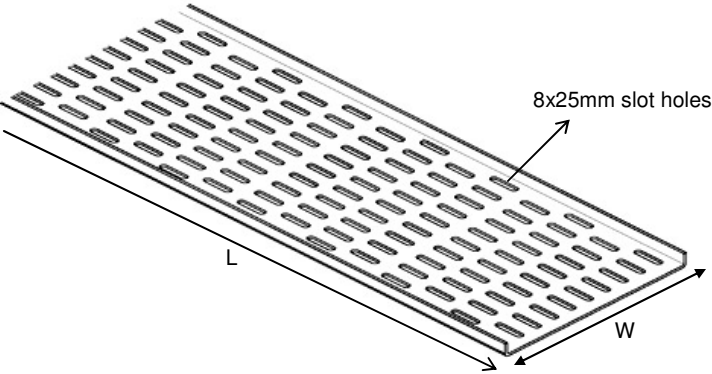
Marine Type Cable Support Systems

GE-KTG

Marine type cable tray (tubing channel)

Gemi tipi kablo kanalı

Судовые кабельные лотки



Part no	T	W	A	L	Kg/m
GE-KTG-7-A15	1	70	15	3000	0.70
GE-KTG-10-A15	1	100	15	3000	0.90
GE-KTG-12-A15	1	120	15	3000	1.10
GE-KTG-15-A15	1.5	150	15	3000	1.73
GE-KTG-20-A15	1.5	200	15	3000	2.20
GE-KTG-25-A15	2	250	15	3000	3.58
GE-KTG-30-A15	2	300	15	3000	4.25
GE-KTG-40-A15	2	400	15	3000	5.50
GE-KTG-50-A15	2	500	15	3000	6.60
GE-KTG-60-A15	2	600	15	3000	8.00
GE-KTG-7-A30	1	70	30	3000	0.89
GE-KTG-10-A30	1	100	30	3000	1.08
GE-KTG-12-A30	1.5	120	30	3000	1.80
GE-KTG-15-A30	1.5	150	30	3000	2.10
GE-KTG-20-A30	1.5	200	30	3000	2.57
GE-KTG-25-A30	2	250	30	3000	4.06
GE-KTG-30-A30	2	300	30	3000	4.70
GE-KTG-40-A30	2	400	30	3000	5.00
GE-KTG-50-A30	2	500	30	3000	5.50
GE-KTG-60-A30	2	600	30	3000	6.00

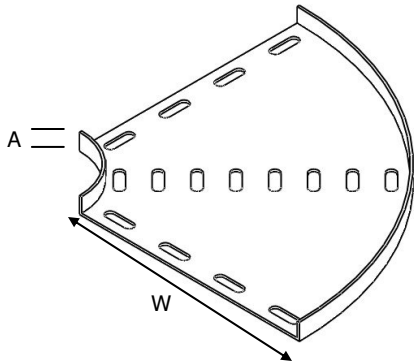
SS4 SS6 HDG PG EG ESP APB AI

GE-KTG-D90

Cable tray flat bend

Kablo kanalı dönüş elemanı

Судовые кабельные лотки | поворот

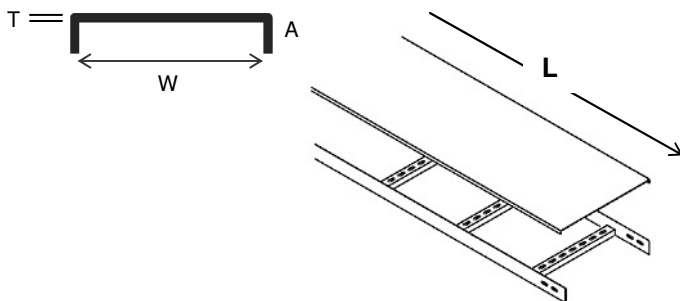


Part no	T	W	A	L	Kg
GE-KTG-D90-7-A15	1	70	15	90	0.64
GE-KTG-D90-10-A15	1	100	15	90	0.85
GE-KTG-D90-12-A15	1.5	120	15	90	1.45
GE-KTG-D90-15-A15	1.5	150	15	90	1.74
GE-KTG-D90-20-A15	2	200	15	90	2.22
GE-KTG-D90-25-A15	2	250	15	90	3.58
GE-KTG-D90-30-A15	2	300	15	90	4.23
GE-KTG-D90-40-A15	2	400	15	90	5.40
GE-KTG-D90-50-A15	2	500	15	90	6.40
GE-KTG-D90-60-A15	2	600	15	90	7.50
GE-KTG-D90-7-A30	1.5	70	30	90	0.22
GE-KTG-D90-10-A30	1.5	100	30	90	0.35
GE-KTG-D90-12-A30	1.5	120	30	90	0.46
GE-KTG-D90-15-A30	2	150	30	90	0.85
GE-KTG-D90-20-A30	2	200	30	90	1.34
GE-KTG-D90-25-A30	2	250	30	90	1.95
GE-KTG-D90-30-A30	2	300	30	90	2.67
GE-KTG-D90-40-A30	2	400	30	90	4.27
GE-KTG-D90-50-A30	2	500	30	90	6.83
GE-KTG-D90-60-A30	2	600	30	90	10.90

Material options: Stainless steel AISI 304 (L) (A2) / AISI 316 (L) (A4), ST-37-42 Mild Steel, Corten A, Pregalvanized steel, Aluminum
 Finish options : Hot Dip Galvanized to EN 1461, Electrogalvanized to TS 149, Electrostatic Paint Coated, Prime coated

GE-KTK1

Solid cover for cable tray/ ladder
 Standart kablo kanalı/merdiveni kapağı
 Крышка стандартная для кабельных
 Лестничных лотков

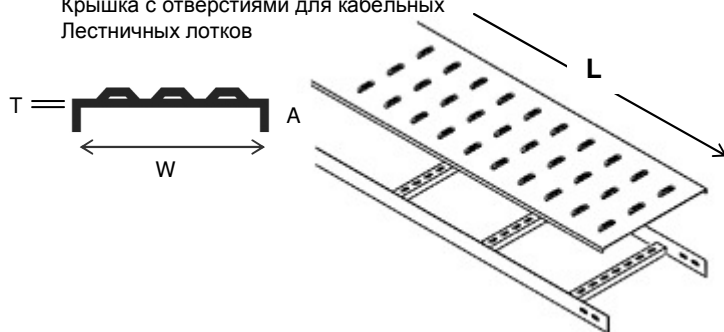


Part No	T	W	A	L	Kg/m
GE-KTK1-10	1	100	12	3000	1.10
GE-KTK1-15	1	150	12	3000	1.50
GE-KTK1-20	1	200	12	3000	2.00
GE-KTK1-25	1	250	12	3000	2.40
GE-KTK1-30	1	300	12	3000	2.80
GE-KTK1-40	1.2	400	12	3000	4.50
GE-KTK1-45	1.2	450	12	3000	5.00
GE-KTK1-50	1.2	500	12	3000	5.60
GE-KTK1-60	1.5	600	12	3000	8.20
GE-KTK1-75	1.5	750	12	3000	10.20
GE-KTK1-90	1.5	900	12	3000	12.15

Custom production available upon request.
 İsteğe göre diğer ölçülerde üretim yapılır.
 Возможно изготовление продукции на заказ.

GE-KTK2

Louvered cover for cable tray/ ladder
 Pencereci kablo kanalı/merdiveni kapağı
 Крышка с отверстиями для кабельных
 Лестничных лотков

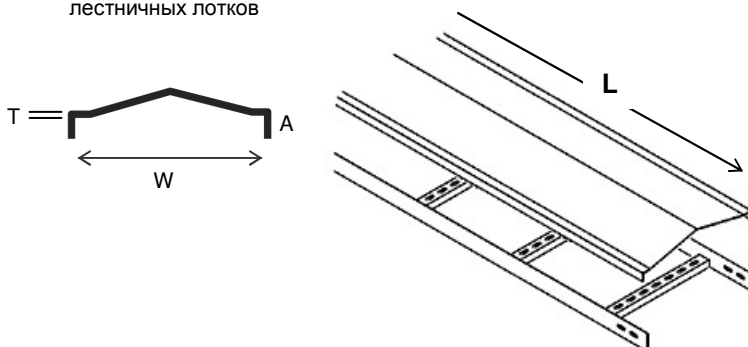


Part No	T	W	A	L	Kg/m
GE-KTK2-10	1	100	12	3000	1.10
GE-KTK2-15	1	150	12	3000	1.50
GE-KTK2-20	1	200	12	3000	2.00
GE-KTK2-25	1	250	12	3000	2.40
GE-KTK2-30	1	300	12	3000	2.80
GE-KTK2-40	1.2	400	12	3000	4.50
GE-KTK2-45	1.2	450	12	3000	5.00
GE-KTK2-50	1.2	500	12	3000	5.60
GE-KTK2-60	1.5	600	12	3000	8.20
GE-KTK2-75	1.5	750	12	3000	10.20
GE-KTK2-90	1.5	900	12	3000	12.15

Custom production available upon request.
 İsteğe göre diğer ölçülerde üretim yapılır.
 Возможно изготовление продукции на заказ.

GE-KTK3

Peaked Cover For Cable Tray/ Ladder
 Çatılı Kablo Kanalı/Merdiveni Kapağı
 Остроконечная крышка для кабельных
 лестничных лотков



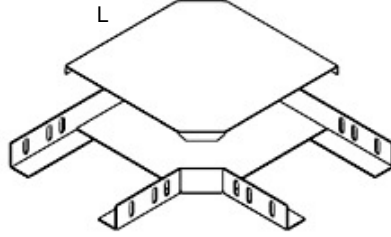
Part No	T	W	A	L	Kg/m
GE-KTK3-10	1	100	12	3000	1.30
GE-KTK3-15	1	150	12	3000	1.80
GE-KTK3-20	1	200	12	3000	2.40
GE-KTK3- 5	1	250	12	3000	2.90
GE-KTK3-30	1	300	12	3000	3.00
GE-KTK3-40	1.2	400	12	3000	4.80
GE-KTK3-45	1.2	450	12	3000	5.50
GE-KTK3-50	1.2	500	12	3000	6.00
GE-KTK3-60	1.5	600	12	3000	8.50
GE-KTK3-75	1.5	750	12	3000	10.50
GE-KTK3-90	1.5	900	12	3000	12.60

Custom production available upon request.
 İsteğe göre diğer ölçülerde üretim yapılır.
 Возможно изготовление продукции на заказ.

Material options: Stainless steel AISI 304 (L) (A2) / AISI 316 (L) (A4), ST-37-42 Mild Steel, Corten A, Pregalvanized steel, Aluminum
 Finish options : Hot Dip Galvanized to EN 1461, Electrogalvanized to TS 149, Electrostatic Paint Coated, Prime coated

GE-DK

Cover for flat bend
 Yatay dönüş kapağı
 Крышка горизонтального лотка

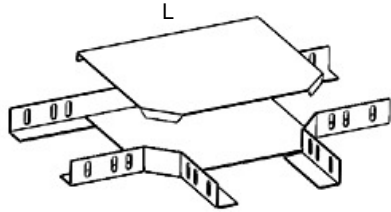


Part No	T	W	A	L	Kg
GE-DK-10	1	100	12	145	0.21
GE-DK-15	1	150	12	195	0.37
GE-DK-20	1	200	12	245	0.57
GE-DK-25	1	250	12	295	0.82
GE-DK-30	1	300	12	345	1.10
GE-DK-40	1.2	400	12	445	2.20
GE-DK-45	1.2	450	12	495	2.70
GE-DK-50	1.2	500	12	545	3.25
GE-DK-60	1.5	600	12	645	5.70
GE-DK-75	1.5	750	12	795	8.55
GE-DK-90	1.5	900	12	945	12.00

Custom production available upon request.
 İsteğe göre diğer ölçülerde üretim yapılır.
 Возможно изготовление продукции на заказ.

GE-TK

Cover for tee
 T kapağı
 Крышка т-образного разветвления

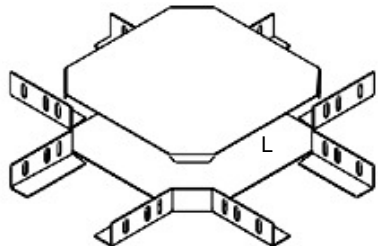


Part No	T	W	A	L	Kg
GE-TK-10	1	100	12	180	0.25
GE-TK-15	1	150	12	230	0.41
GE-TK-20	1	200	12	280	0.63
GE-TK-25	1	250	12	330	0.89
GE-TK-30	1	300	12	380	1.20
GE-TK-40	1.2	400	12	480	2.30
GE-TK-45	1.2	450	12	530	2.80
GE-TK-50	1.2	500	12	580	3.40
GE-TK-60	1.5	600	12	680	5.90
GE-TK-75	1.5	750	12	830	8.82
GE-TK-90	1.5	900	12	980	12.35

Custom production available upon request.
 İsteğe göre diğer ölçülerde üretim yapılır.
 Возможно изготовление продукции на заказ.

GE-DBK

Cover for crossing
 Dörtlü bağlantı kapağı
 Крышка крестообразной секции



Part No	T	W	A	L	Kg
GE-DBK-10	1	100	12	180	0.29
GE-DBK-15	1	150	12	230	0.47
GE-DBK-20	1	200	12	280	0.69
GE-DBK-25	1	250	12	330	0.96
GE-DBK-30	1	300	12	380	1.27
GE-DBK-40	1.2	400	12	480	2.40
GE-DBK-45	1.2	450	12	530	3.00
GE-DBK-50	1.2	500	12	580	3.60
GE-DBK-60	1.5	600	12	680	6.10
GE-DBK-75	1.5	750	12	830	9.10
GE-DBK-90	1.5	900	12	980	12.70

Custom production available upon request.
 İsteğe göre diğer ölçülerde üretim yapılır.
 Возможно изготовление продукции на заказ.

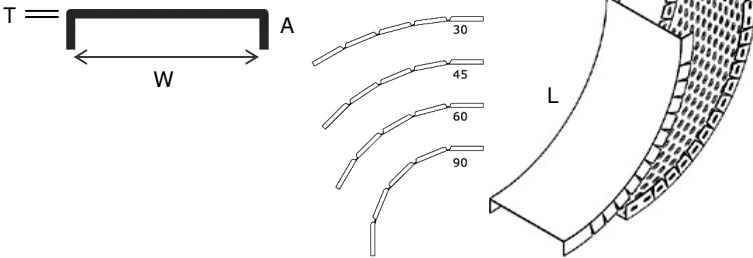
Material options: Stainless steel AISI 304 (L) (A2) / AISI 316 (L) (A4), ST-37-42 Mild Steel, Corten A, Pregalvanized steel, Aluminum
 Finish options : Hot Dip Galvanized to EN 1461, Electrogalvanized to TS 149, Electrostatic Paint Coated, Prime coated

GE-IBFK

Cover for inside bend, flexible

İç bükey караđı

Крышка внутреннего вертикального угольника



Part No	T	W	A	L	Kg
GE-IBFK-10	1	100	12	540	0.73
GE-IBFK-15	1	150	12	540	1.00
GE-IBFK-20	1	200	12	540	1.32
GE-IBFK-25	1	250	12	540	1.60
GE-IBFK-30	1	300	12	540	1.85
GE-IBFK-40	1.2	400	12	540	3.00
GE-IBFK-45	1.2	450	12	540	3.30
GE-IBFK-50	1.2	500	12	540	3.70
GE-IBFK-60	1.5	600	12	540	5.40
GE-IBFK-75	1.5	750	12	540	6.75
GE-IBFK-90	1.5	900	12	540	8.00

Custom production available upon request.

İsteđe göre diđer ölçülerde üretim yapılır.

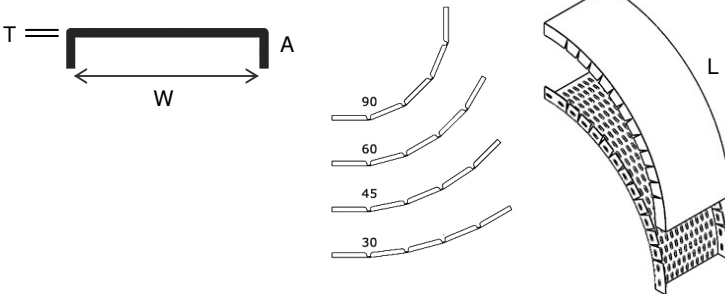
Возможно изготовление продукции на заказ.

GE-OBFK

Cover for outside bend, flexible

Dış bükey караđı

Крышка внешнего вертикального угольника



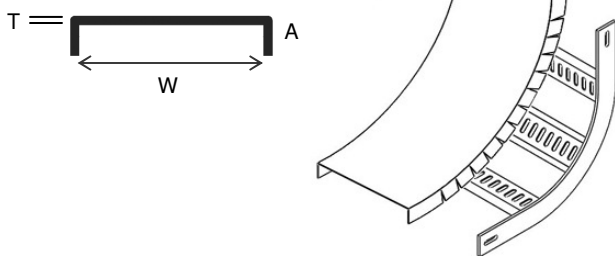
Part No	T	W	A	L	Kg
GE-OBFK-10	1	100	12	540	0.73
GE-OBFK-15	1	150	12	540	1.00
GE-OBFK-20	1	200	12	540	1.32
GE-OBFK-25	1	250	12	540	1.60
GE-OBFK-30	1	300	12	540	1.85
GE-OBFK-40	1.2	400	12	540	3.00
GE-OBFK-45	1.2	450	12	540	3.30
GE-OBFK-50	1.2	500	12	540	3.70
GE-OBFK-60	1.5	600	12	540	5.40
GE-OBFK-75	1.5	750	12	540	6.75
GE-OBFK-90	1.5	900	12	540	8.00

GE-IBK

Cover for inside bend

İç bükey караđı

Крышка внутреннего вертикалы



Part No	T	W	A	L	Kg
GE-IBK-10	1	100	12	540	0.73
GE-IBK-15	1	150	12	540	1.00
GE-IBK-20	1	200	12	540	1.32
GE-IBK-25	1	250	12	540	1.60
GE-IBK-30	1	300	12	540	1.85
GE-IBK-40	1.2	400	12	540	3.00
GE-IBK-45	1.2	450	12	540	3.30
GE-IBK-50	1.2	500	12	540	3.70
GE-IBK-60	1.5	600	12	540	5.40
GE-IBK-75	1.5	750	12	540	6.75
GE-IBK-90	1.5	900	12	540	8.00

Custom production available upon request.

İsteđe göre diđer ölçülerde üretim yapılır.

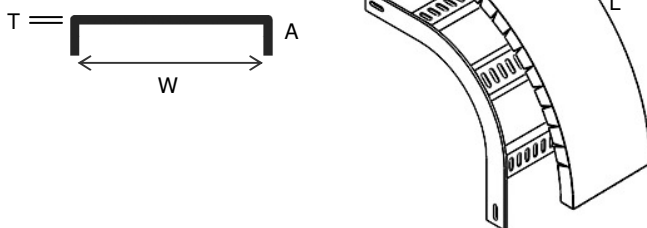
Возможно изготовление продукции на заказ.

GE-OBK

Cover for outside bend,

Dış bükey караđı

Крышка внешнего вертикального угольника

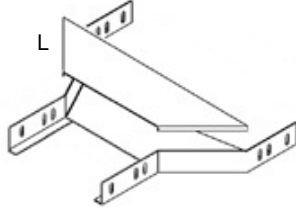


Part No	T	W	A	L	Kg
GE-OBK-10	1	100	12	540	0.73
GE-OBK-15	1	150	12	540	1.00
GE-OBK-20	1	200	12	540	1.32
GE-OBK-25	1	250	12	540	1.60
GE-OBK-30	1	300	12	540	1.85
GE-OBK-40	1.2	400	12	540	3.00
GE-OBK-45	1.2	450	12	540	3.30
GE-OBK-50	1.2	500	12	540	3.70
GE-OBK-60	1.5	600	12	540	5.40
GE-OBK-75	1.5	750	12	540	6.75
GE-OBK-90	1.5	900	12	540	8.00

Material options: Stainless steel AISI 304 (L) (A2) / AISI 316 (L) (A4), ST-37-42 Mild Steel, Corten A, Pregalvanized steel, Aluminum
 Finish options : Hot Dip Galvanized to EN 1461, Electrogalvanized to TS 149, Electrostatic Paint Coated, Prime coated

GE-RK

Reducer cover
 Redüksiyon kapağı
 Крышка редуктора

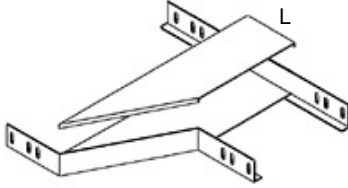


Part No	T	W	A	L	kg
GE-RK-10-20	1	100 - 200	12	70	0,15
GE-RK-10-30	1	100 - 300	12	110	0,25
GE-RK-10-40	1.2	100 - 400	12	170	0,50
GE-RK-10-50	1.2	100 - 500	12	210	0,75
GE-RK-10-60	1.5	100 - 600	12	260	1,10
GE-RK-10-75	1.5	100 - 750	12	330	1,70
GE-RK-10-90	1.5	100 - 900	12	420	2,55

Custom production available upon request.
 İsteğe göre diğer ölçülerde üretim yapılır.
 Возможно изготовление продукции на заказ.

GE-RRK

Right reducer cover
 Sağa redüksiyon kapağı
 Крышка редуктора

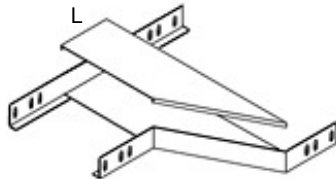
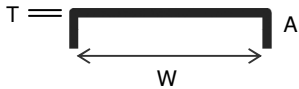


Part No	T	W	A	L	kg
GE-RRK-10-20	1	100 - 200	12	70	0,15
GE-RRK-10-30	1	100 - 300	12	110	0,35
GE-RRK-10-40	1.2	100 - 400	12	170	0,70
GE-RRK-10-50	1.2	100 - 500	12	210	1,00
GE-RRK-10-60	1.5	100 - 600	12	260	1,50
GE-RRK-10-75	1.5	100 - 750	12	330	2,35
GE-RRK-10-90	1.5	100 - 900	12	420	3,55

Custom production available upon request.
 İsteğe göre diğer ölçülerde üretim yapılır.
 Возможно изготовление продукции на заказ.

GE-RLK

Left reducer cover
 Sola redüksiyon kapağı
 Крышка редуктора



Part No	T	W	A	L	kg
GE-RLK-10-20	1	100 - 200	12	70	0,15
GE-RLK-10-30	1	100 - 300	12	110	0,35
GE-RLK-10-40	1.2	100 - 400	12	170	0,70
GE-RLK-10-50	1.2	100 - 500	12	210	1,00
GE-RLK-10-60	1.5	100 - 600	12	260	1,50
GE-RLK-10-75	1.5	100 - 750	12	330	2,35
GE-RLK-10-90	1.5	100 - 900	12	420	3,55

Custom production available upon request.
 İsteğe göre diğer ölçülerde üretim yapılır.
 Возможно изготовление продукции на заказ.

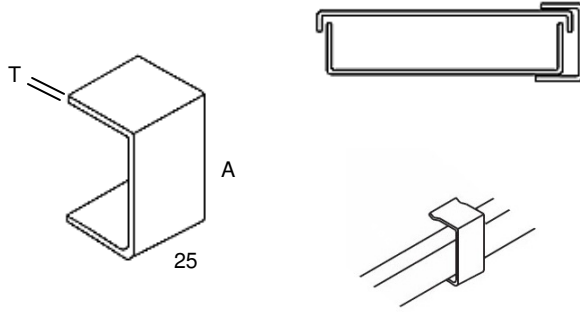
Material options: Stainless steel AISI 304 (L) (A2) / AISI 316 (L) (A4), ST-37-42 Mild Steel, Corten A, Pregalvanized steel, Aluminum
 Finish options : Hot Dip Galvanized to EN 1461, Electrogalvanized to TS 149, Electrostatic Paint Coated, Prime coated

GE-KTKT1

Slide-in cover clamp

Geçmeli tip kapak kelepçesi

Скоба для крышки



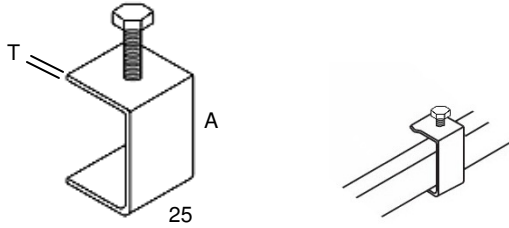
Part No	T	A	Kg
GE-KTKT1-25	1.5	25	0.026
GE-KTKT1-40	1.5	40	0.032
GE-KTKT1-50	1.5	50	0.035
GE-KTKT1-60	1.5	60	0.039
GE-KTKT1-70	1.5	70	0.042
GE-KTKT1-80	2	80	0.060
GE-KTKT1-100	2	100	0.070
GE-KTKT1-125	2	125	0.080
GE-KTKT1-150	2	150	0.090

GE-KTKT2

Bolted type cover clamp

Cıvatalı tip kapak kelepçesi

Скоба для крышки



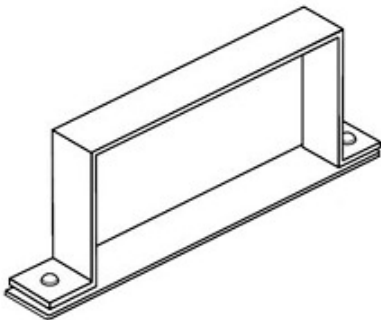
Part No	T	A	Kg
GE-KTKT2-25	2	25	0.050
GE-KTKT2-40	2	40	0.060
GE-KTKT2-50	2	50	0.070
GE-KTKT2-60	2	60	0.080
GE-KTKT2-70	2	70	0.090
GE-KTKT2-80	2	80	0.110
GE-KTKT2-100	2	100	0.120
GE-KTKT2-125	2	125	0.130
GE-KTKT2-150	2	150	0.150

GE-KTKT3

Wrap-around cover clamp

Kuşaklı tip kapak kelepçesi

Скоба для крышки

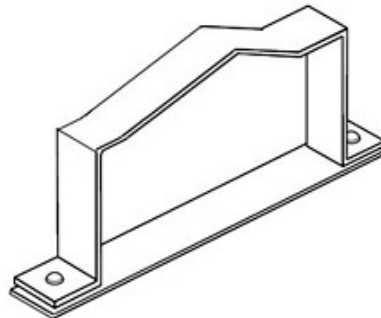


GE-KTKT4

Peak type wrap-around cover clamp

Çatı tipi kuşaklı kapak kelepçesi

Скоба для крышки



Material options: Stainless steel AISI 304 (L) (A2) / AISI 316 (L) (A4), ST-37-42 Mild Steel, Corten A, Pregalvanized steel, Aluminum
 Finish options : Hot Dip Galvanized to EN 1461, Electrogalvanized to TS 149, Electrostatic Paint Coated, Prime coated

GE-GMEK / GE-GMEKP

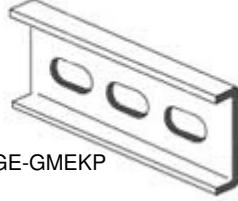
Cable ladder splice connector

Kablo merdiveni ek parçası

Соединитель



GE-GMEK



GE-GMEKP

Part no	T	A	L	Kg
GE-GMEK-30	5	30	150	0.50
GE-GMEK-40	5	40	150	0.60
GE-GMEK-50	5	50	150	0.70
GE-GMEKP-30	5	30	150	0.47
GE-GMEKP-40	5	40	150	0.57
GE-GMEKP-50	5	50	150	0.65

GE-GTZ1

Steel wedge

Такоз

Клин



Part no	A	W	A1	L	Kg
GE-GTZ1-1	M4	15	6	30	0.03
GE-GTZ1-2	M4	15	6	50	0.06
GE-GTZ1-3	M5	15	7	30	0.03
GE-GTZ1-4	M5	15	7	50	0.06
GE-GTZ1-5	M6	16	8	30	0.04
GE-GTZ1-6	M6	16	8	50	0.07
GE-GTZ1-7	M8	18	10	30	0.04
GE-GTZ1-8	M8	18	10	50	0.07
GE-GTZ1-9	M10	20	12	30	0.08
GE-GTZ1-10	M10	20	12	50	0.13
GE-GTZ1-11	M12	24	14	30	0.08
GE-GTZ1-12	M12	24	14	50	0.13

GE-GTZ2

Steel wedge with end

Kör takoз

Клин

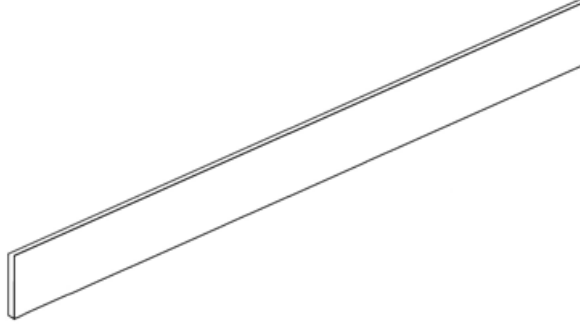


Part no	A	W	L	Kg
GE-GTZ2-1	M6	16	75	0.12
GE-GTZ2-2	M6	16	100	0.16
GE-GTZ2-3	M6	16	125	0.20
GE-GTZ2-4	M6	16	150	0.24
GE-GTZ2-5	M6	16	200	0.32
GE-GTZ2-6	M8	18	75	0.15
GE-GTZ2-7	M8	18	100	0.20
GE-GTZ2-8	M8	18	125	0.25
GE-GTZ2-9	M8	18	150	0.30
GE-GTZ2-10	M8	18	200	0.40
GE-GTZ2-11	M10	20	75	0.19
GE-GTZ2-12	M10	20	100	0.25
GE-GTZ2-13	M10	20	125	0.31
GE-GTZ2-14	M10	20	150	0.38
GE-GTZ2-15	M10	20	200	0.50

Material options: Stainless steel AISI 304 (L) (A2) / AISI 316 (L) (A4), ST-37-42 Mild Steel, Corten A, Pregalvanized steel, Aluminum
Finish options : Hot Dip Galvanized to EN 1461, Electrogalvanized to TS 149, Electrostatic Paint Coated, Prime coated

GE-GLS

Flat bar
Deliksiz lama
Простой канал

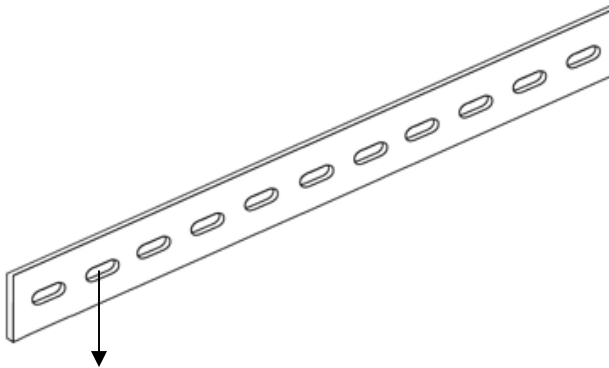


Part no	T	W	L	Kg/m
GE-GLS-305	5	30	3000	1.20
GE-GLS-405	5	40	3000	1.60

Other sizes available upon request.
İstek üzerine diğer ölçülerde üretim yapılır.
Другие размеры могут быть изготовлены на запросе.

GE-GLSP

Perforated bar
Delikli lama
Перфорированный канал



8x25mm slot holes

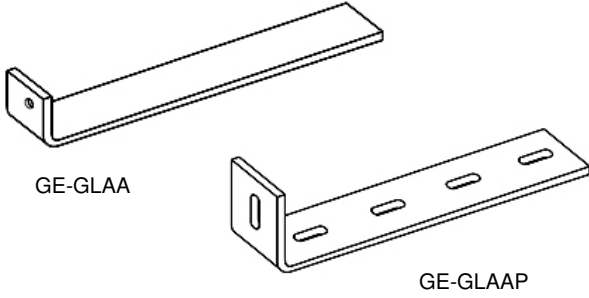
Part no	T	W	L	Kg/m
GE-GLSP-305	5	30	3000	1.00
GE-GLSP-405	5	40	4000	1.38

Other sizes available upon request.
İstek üzerine diğer ölçülerde üretim yapılır.
Другие размеры могут быть изготовлены на запросе.

Material options: Stainless steel AISI 304 (L) (A2) / AISI 316 (L) (A4), ST-37-42 Mild Steel, Corten A, Pregalvanized steel, Aluminum
 Finish options : Hot Dip Galvanized to EN 1461, Electrogalvanized to TS 149, Electrostatic Paint Coated, Prime coated

GE-GLAA

L bracket
 L askı ayağı
 L консоль



Part no	T	W	A	Kg
GE-GLAA-1	5.0	100	30	0.15
GE-GLAA-2	5.0	200	30	0.27
GE-GLAA-3	5.0	300	30	0.39
GE-GLAA-4	5.0	400	30	0.51
GE-GLAA-5	5.0	500	30	0.62
GE-GLAA-6	5.0	600	30	0.75
GE-GLAAP-1	5.0	100	50	0.21
GE-GLAAP-2	5.0	200	50	0.35
GE-GLAAP-3	5.0	300	50	0.49
GE-GLAAP-4	5.0	400	50	0.63
GE-GLAAP-5	5.0	500	50	0.77
GE-GLAAP-6	5.0	600	50	0.91

Used as vertical and horizontal support unit on ships.

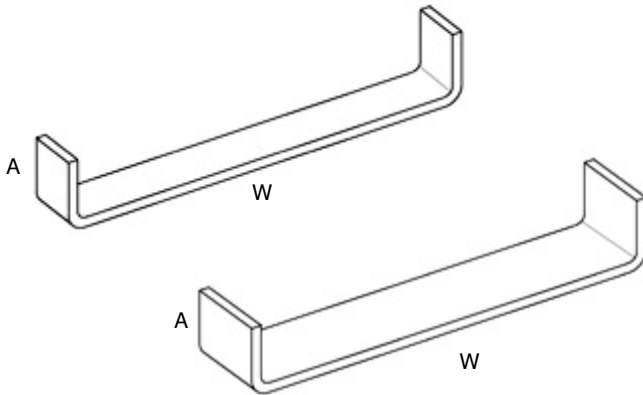
Other sizes available upon request.

İstek üzerine diğer ölçülerde üretim yapılır.

Другие размеры могут быть изготовлены на запросе.

GE-GDUK-A

U bracket, narrow type
 Dar U konsol, dar tip
 U консоль



Part no	T	W	A	L	Kg
GE-GDUK-A-1	5.0	100	30	20	0.12
GE-GDUK-A-2	5.0	200	30	20	0.20
GE-GDUK-A-3	5.0	300	30	20	0.28
GE-GDUK-A-4	5.0	400	30	20	0.36
GE-GDUK-A-5	5.0	500	30	20	0.44
GE-GDUK-A-6	5.0	600	30	20	0.52
GE-GDUK-B-1	5.0	100	30	30	0.17
GE-GDUK-B-2	5.0	200	30	30	0.29
GE-GDUK-B-3	5.0	300	30	30	0.41
GE-GDUK-B-4	5.0	400	30	30	0.53
GE-GDUK-B-5	5.0	500	30	30	0.65
GE-GDUK-B-6	5.0	600	30	30	0.77

Other sizes available upon request.

İstek üzerine diğer ölçülerde üretim yapılır.

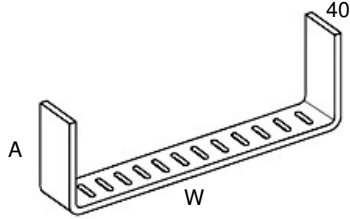
Другие размеры могут быть изготовлены на запросе.

Used as horizontal support unit on ships.

Material options: Stainless steel AISI 304 (L) (A2) / AISI 316 (L) (A4), ST-37-42 Mild Steel, Corten A, Pregalvanized steel, Aluminum
 Finish options : Hot Dip Galvanized to EN 1461, Electrogalvanized to TS 149, Electrostatic Paint Coated, Prime coated

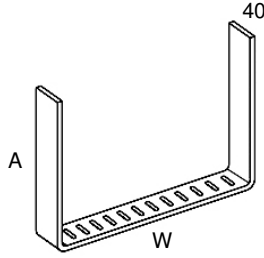
GE-GDUKP

U bracket, perforated
 U konsol, delikli
 Перфорированный и консоль



GE-GDULKP

U bracket, perforated
 U konsol, delikli
 Перфорированный и консоль



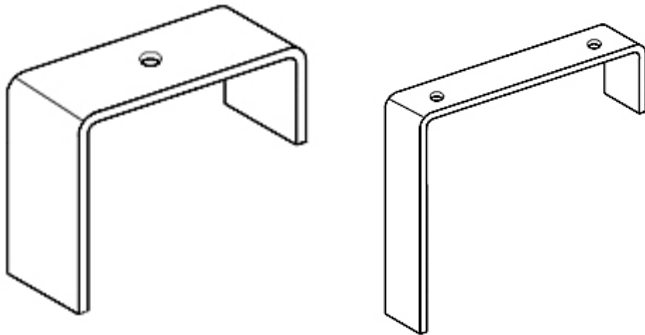
Part no	T	W	A	L	Kg
GE-GDUKP-1	5.0	100	100	40	0.42
GE-GDUKP-2	5.0	200	100	40	0.55
GE-GDUKP-3	5.0	300	100	40	0.65
GE-GDUKP-4	5.0	400	100	40	0.79
GE-GDUKP-5	5.0	500	100	40	0.90
GE-GDUKP-6	5.0	600	100	40	1.02
GE-GDULKP-1	5.0	100	200	40	0.73
GE-GDULKP-2	5.0	200	200	40	0.85
GE-GDULKP-3	5.0	300	200	40	0.97
GE-GDULKP-4	5.0	400	200	40	1.10
GE-GDULKP-5	5.0	500	200	40	1.20
GE-GDULKP-6	5.0	600	200	40	1.33

Used as horizontal support unit on ships.

Other sizes available upon request.
 İstek üzerine diğer ölçülerde üretim yapılır.
 Другие размеры могут быть изготовлены на запросе.

GE-GMLA

Lighting bracket
 Lamba ayağı
 Монтажный элемент для лампы



Part no	T	W	A	Kg
GE-GMLA-01	5.0	50	100	0.49
GE-GMLA-02	5.0	50	155	0.93

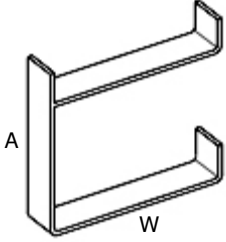
Other sizes available upon request.
 İstek üzerine diğer ölçülerde üretim yapılır.
 Другие размеры могут быть изготовлены на запросе.

Used as lamp support unit on ships. Fixed on ship body by welding.

Material options: Stainless steel AISI 304 (L) (A2) / AISI 316 (L) (A4), ST-37-42 Mild Steel, Corten A, Pregalvanized steel, Aluminum
 Finish options : Hot Dip Galvanized to EN 1461, Electrogalvanized to TS 149, Electrostatic Paint Coated, Prime coated

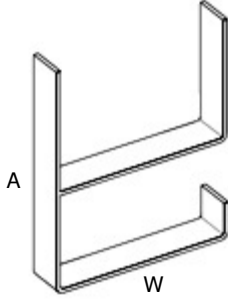
GE-GFKN-1

F bracket
F konsol
F консоль



GE-GFKN-2

F bracket
F konsol
F консоль



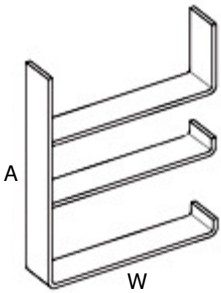
Part no	T	W	A	Kg
GE-GFKN-1-10	5.0	100	145	0.60
GE-GFKN-1-20	5.0	200	145	0.92
GE-GFKN-1-30	5.0	300	145	1.24
GE-GFKN-1-40	5.0	400	145	1.56
GE-GFKN-1-50	5.0	500	145	1.88
GE-GFKN-1-60	5.0	600	145	2.20
GE-GFKN-2-10	5.0	100	215	0.82
GE-GFKN-2-20	5.0	200	215	1.14
GE-GFKN-2-30	5.0	300	215	1.46
GE-GFKN-2-40	5.0	400	215	1.78
GE-GFKN-2-50	5.0	500	215	2.10
GE-GFKN-2-60	5.0	600	215	2.42

Other sizes available upon request.
İstek üzerine diğer ölçülerde üretim yapılır.
Другие размеры могут быть изготовлены на запросе.

Used as cable support unit on ships. Fixed on ship body by welding.

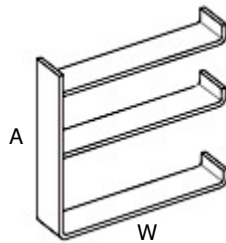
GE-GEKN-1

E bracket
E konsol
E консоль



GE-GEKN-2

E bracket
E konsol
E консоль



Part no	T	W	A	Kg
GE-GEKN-1-10	5.0	100	300	1.75
GE-GEKN-1-20	5.0	200	300	2.35
GE-GEKN-1-30	5.0	300	300	2.95
GE-GEKN-1-40	5.0	400	300	3.55
GE-GEKN-1-50	5.0	500	300	4.15
GE-GEKN-1-60	5.0	600	300	4.75
GE-GEKN-2-10	5.0	100	370	2.03
GE-GEKN-2-20	5.0	200	370	2.63
GE-GEKN-2-30	5.0	300	370	3.23
GE-GEKN-2-40	5.0	400	370	3.83
GE-GEKN-2-50	5.0	500	370	4.43
GE-GEKN-2-60	5.0	600	370	5.03

Other sizes available upon request.
İstek üzerine diğer ölçülerde üretim yapılır.
Другие размеры могут быть изготовлены на запросе.

Used as cable support unit on ships. Fixed on ship body by welding.

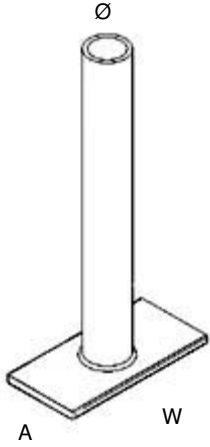
Material options: Stainless steel AISI 304 (L) (A2) / AISI 316 (L) (A4), ST-37-42 Mild Steel, Corten A, Pregalvanized steel, Aluminum
 Finish options : Hot Dip Galvanized to EN 1461, Electrogalvanized to TS 149, Electrostatic Paint Coated, Prime coated

GE-GMGLD-1

Lamp bracket

Lamba direği

Монтажный элемент для лампы



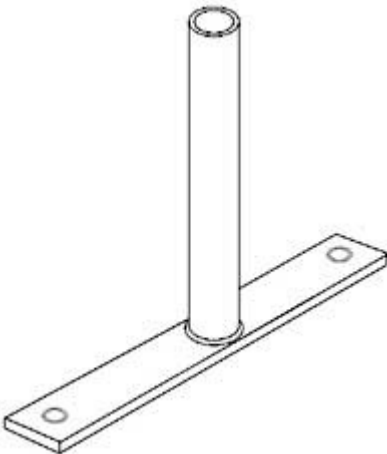
Part no	T	W	A	Ø	Kg
GE-GMGLD-1-1	5.0	100	50	3/4	0.36
GE-GMGLD-1-2	5.0	200	50	3/4	0.52
GE-GMGLD-1-3	5.0	300	50	3/4	0.68
GE-GMGLD-1-4	5.0	400	50	3/4	0.84
GE-GMGLD-1-5	5.0	500	50	3/4	1.00
GE-GMGLD-1-6	5.0	600	50	3/4	1.16
GE-GMGLD-1-7	6.0	100	50	1	0.45
GE-GMGLD-1-8	6.0	200	50	1	0.70
GE-GMGLD-1-9	6.0	300	50	1	0.95
GE-GMGLD-1-10	6.0	400	50	1	1.20
GE-GMGLD-1-11	6.0	500	50	1	1.45
GE-GMGLD-1-12	6.0	600	50	1	1.70

GE-GMGLD-2

Lamp bracket

Lamba direği

Монтажный элемент для лампы



Part no	T	W	A	Ø	Kg
GE-GMGLD-2-1	5.0	100	30	3/4	0.44
GE-GMGLD-2-2	5.0	200	30	3/4	0.60
GE-GMGLD-2-3	5.0	300	30	3/4	0.76
GE-GMGLD-2-4	5.0	400	30	3/4	0.92
GE-GMGLD-2-5	5.0	500	30	3/4	1.08
GE-GMGLD-2-6	5.0	600	30	3/4	1.24
GE-GMGLD-2-7	5.0	100	30	1	0.53
GE-GMGLD-2-8	5.0	200	30	1	0.78
GE-GMGLD-2-9	5.0	300	30	1	1.03
GE-GMGLD-2-10	5.0	400	30	1	1.28
GE-GMGLD-2-11	5.0	500	30	1	1.53
GE-GMGLD-2-12	5.0	600	30	1	1.78

Other sizes available upon request.

İstek üzerine diğer ölçülerde üretim yapılır.

Другие размеры могут быть изготовлены на запросе.

Used as lamp post support unit on ships. Fixed on ship body by welding or simply fixing through the holes at sides.

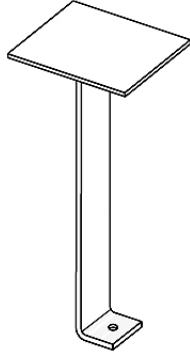
Material options: Stainless steel AISI 304 (L) (A2) / AISI 316 (L) (A4), ST-37-42 Mild Steel, Corten A, Pregalvanized steel, Aluminum
 Finish options : Hot Dip Galvanized to EN 1461, Electrogalvanized to TS 149, Electrostatic Paint Coated, Prime coated

GE-GMLAYS

Ceiling bracket

Askı ayağı, başlıklı

Монтажные элементы



Part no	T	W	A	Kg
GE-GMLAYS-10	5.0	100	30	0.28
GE-GMLAYS-20	5.0	200	30	0.40
GE-GMLAYS-30	5.0	300	30	0.50
GE-GMLAYS-40	5.0	400	30	0.63
GE-GMLAYS-50	5.0	500	30	0.75
GE-GMLAYS-60	5.0	600	30	0.88

Other sizes available upon request.

İstek üzerine diğer ölçülerde üretim yapılır.

Другие размеры могут быть изготовлены на запросе.

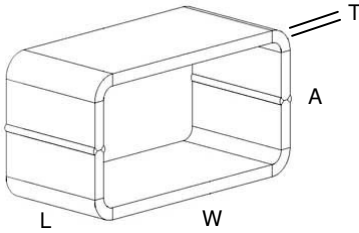
Used as cable support unit on ships. Fixed on ship body by welding.

GE-MH

Frame

Menhol

Стальная структура



Part no	T	W	A	L	Kg
GE-MH1-10	10	100	100	100	3.52
GE-MH1-15	10	150	100	100	4.32
GE-MH1-20	10	200	100	100	5.12
GE-MH1-25	10	250	100	100	5.92
GE-MH1-30	10	300	100	100	6.72
GE-MH1-40	10	400	100	100	8.32
GE-MH1-50	10	500	100	100	9.92
GE-MH1-60	10	600	100	100	11.52
GE-MH2-10	10	100	100	250	3.84
GE-MH2-15	10	150	100	250	4.64
GE-MH2-20	10	200	100	250	5.44
GE-MH2-25	10	250	100	250	6.24
GE-MH2-30	10	300	100	250	7.04
GE-MH2-40	10	400	100	250	8.64
GE-MH2-50	10	500	100	250	10.24
GE-MH2-60	10	600	100	250	11.84
GE-MH3-10	10	100	120	100	8.80
GE-MH3-15	10	150	120	100	10.80
GE-MH3-20	10	200	120	100	12.80
GE-MH3-25	10	250	120	100	14.80
GE-MH3-30	10	300	120	100	16.80
GE-MH3-40	10	400	120	100	20.80
GE-MH3-50	10	500	120	100	24.80
GE-MH3-60	10	600	120	100	28.80
GE-MH4-10	10	100	120	250	9.60
GE-MH4-15	10	150	120	250	11.60
GE-MH4-20	10	200	120	250	13.60
GE-MH4-25	10	250	120	250	15.60
GE-MH4-30	10	300	120	250	17.60
GE-MH4-40	10	400	120	250	21.60
GE-MH4-50	10	500	120	250	25.60
GE-MH4-60	10	600	120	250	29.60

Other sizes available upon request.

İstek üzerine diğer ölçülerde üretim yapılır.

Другие размеры могут быть изготовлены на запросе.

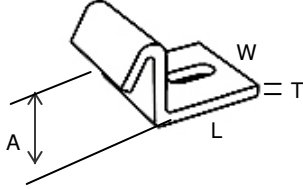
Used as cabling and / or piping passage frame.

Welded into walls or compartments to enable safe and proper cabling.

Material options: Stainless steel AISI 304 (L) (A2) / AISI 316 (L) (A4), ST-37-42 Mild Steel, Corten A, Pregalvanized steel, Aluminum
 Finish options : Hot Dip Galvanized to EN 1461, Electrogalvanized to TS 149, Electrostatic Paint Coated, Prime coated

GE-ITP-A

Fixing clamp
 Tespit kelepçesi
 Фиксация зажим

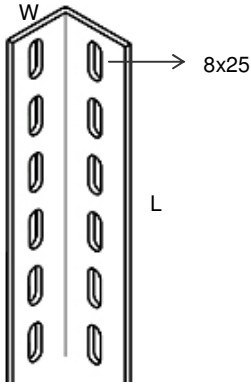


Part No	T	W	A	L	kg
GE-ITP-A	5	50	34	40	0.27

Other sizes available upon request.
 İstek üzerine diğer ölçülerde üretim yapılır.
 Другие размеры могут быть изготовлены на запросе.

GE-LS

L channel
 L profil
 Профиль



Part No	T	W	A	L	kg/m
GE-LS-1	2	30	30	2400	0,90
GE-LS-2	2	40	40	3000	1,20
GE-LS-3	3	30	30	3000	1,30
GE-LS-4	3	40	40	3000	1,80
GE-LS-5	4	30	30	3000	1,66
GE-LS-6	4	40	40	3000	2,30
GE-LS-7	3	50	50	2000	2,15

HDG	PG	EG	SS	AL	CU	ESB	APB
.

Other sizes available upon request.
 İstek üzerine diğer ölçülerde üretim yapılır.
 Другие размеры могут быть изготовлены на запросе.

GE-WFR

Wall frame
 Duvardan geçiş menholü
 Стена кадр

